

Suture Unroller: Bobine-sizes

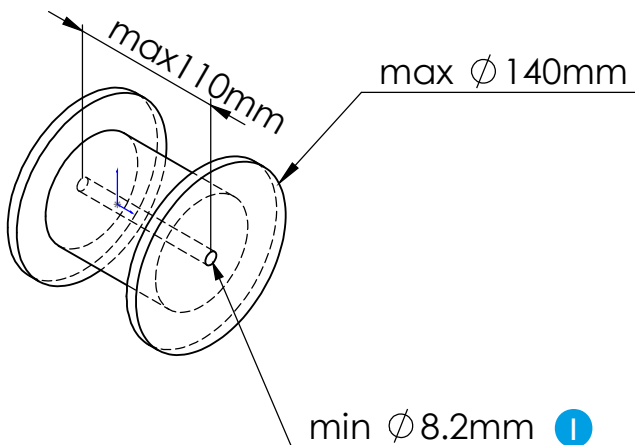
Fibapic

Problem:

Each client uses their specific bobines with suture-raw-material. In order to customize the machine we need to know your extreme values of your bobines. There are two unrolling designs: small and standard.

Small Unroller:

The small unroller is designed for spools with a tiny center hole **1**, as examples Teleflex spools **2**. Miniature spools can be held with a counter-nut **3**

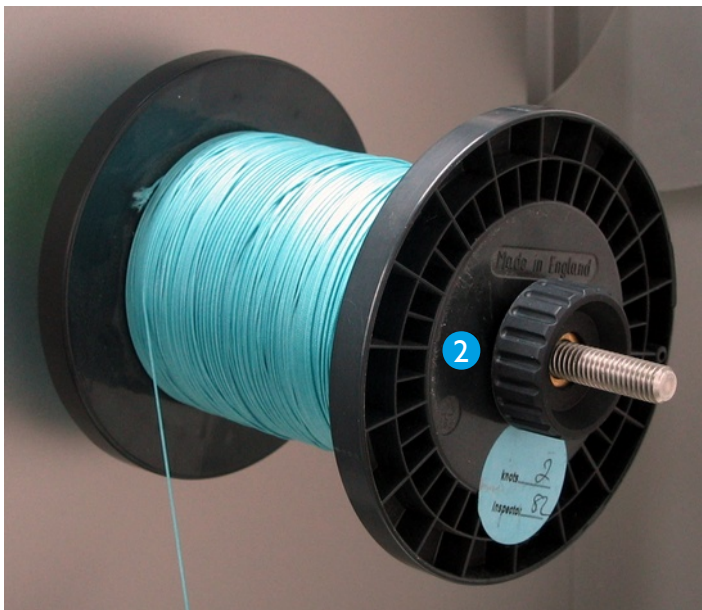
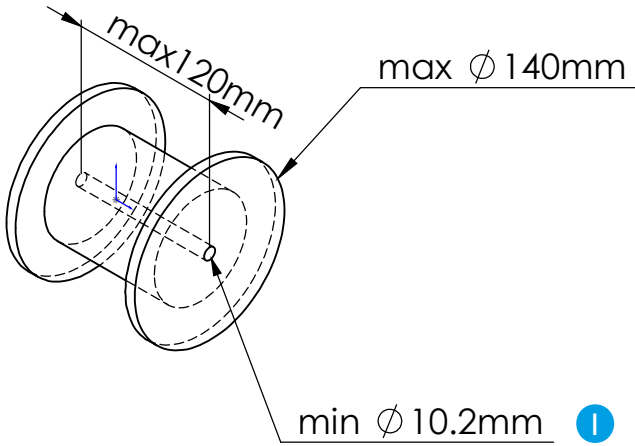


Sonderegger Engineering AG
Fulachstrasse 30-8200 Schaffhausen
Switzerland
www.sonderegger-engineering.ch
info@sonderegger-engineering.ch
Tel: +41 52 622 22 55

Standard Unroller:

The small unroller is designed for most spools with a resonable sized bore hole: ①

Manufacturers are: Pearsalles ② Gunze, Samyang



Sonderegger Engineering AG
Fulachstrasse 30-8200 Schaffhausen
Switzerland
www.sonderegger-engineering.ch
info@sonderegger-engineering.ch
Tel: +41 52 622 22 55

Client-Specific Design

We adapt to all your needs and design special unrolling mechanisms if necessary. Here a few examples:

- 1 huge spool
- 2 extension knob for a slim and extended spool.

